

Main wiring diagram – Cabriolet from 1991

page 1 of 10

Description	Current track	Description	Current track	Description	Current track
Air flow sensor potentiometer, G19	27	Fresh air control lever light, L16	99	Junction box, T	51-53
Airbag control light, K75	69	Fresh air blower, V2	159	Knock sensor, G61	25-27
Airbag warning light, K90	73	Fresh air blower series resistance, N23	157-158	License plate light, X	151-153
Alternator, C	1-2	Fresh air blower switch, E9	157-159	Light switch, E1	142-148
Alternator warning light, K2	70	Fuel gauge, G1	76	Load reduction relay, J59	142-148
Back-up light switch, F4	173	Fuel gauge sending unit, G	51	Luggage compartment light, W3	154
Back-up light, left, M16	171	Fuel pump, G6	49	Luggage compartment light switch, F5	154
Back-up light, right, M17	180	Fuel pump relay, J17	51-53	Oxygen sensor, G39	34-35
Battery, A	4	Full throttle switch, F81	20	Parking brake warning light switch, F9	94
Brake and parking brake indicator light, K7	93-95	Fuse, S17	34	Parking light, left, M1	163
Brake fluid level warning contact, F34	98	Fuse, S12	43	Parking light, right, M3	166
Brake light switch, F	179	Fuse, S1	47	Radiator cooling fan, V7	47-48
Brake light, left, M9	174	Fuse, S5	49	Radiator cooling fan after run control unit, J138	43-46
Brake light, right, M10	177	Fuse, S3	104	Radiator cooling fan thermostwitch, F18	47-49
Cigarette lighter, U1	104	Fuse, S10	129	Radiator cooling fan thermostwitch, F87	43
Cigarette lighter light, L28	102	Fuse, S21	130	Radio, R	107
Clock light, L8	82	Fuse, S9	133	Rear window defogger indicator light, K10	206-208
Coolant low level control unit, J120	58-59	Fuse, S22	134	Rear window defogger switch, E15	208
Coolant low level sensor, G32	58	Fuse, S20	154	Rear window defogger switch light, L39	206
Coolant overheat warning light, K28	79	Fuse, S6	155	Rear window heater element, Z1	210
Coolant temperature gauge, G3	77	Fuse, S14	157	Seat belt switch, left, E24	91
Coolant temperature sending unit, G2	57	Fuse, S7	162	Seat belt warning control unit, J34	89-93
Coolant temperature sensor, G62	24	Fuse, S8	165	Seat belt warning light, K19	93
Digifant control unit, J169	20-38	Fuse, S15	174	Side marker lights, front, M11	162, 165
Digifant control unit relay, J176	35-37	Fuse, S2	180	Spark plug connectors, P	17-19
Digital clock, Y2	81	Fuse, S19	184	Spark plugs, Q	17-19
Door contact switch, left front, F2	88-89	Fuse, S4	186	Speed sensor, G54	77
Door contact switch, right front, F3	86	Fuse, S18	197	Starter, B	6-7
Emergency flasher relay, J2	187-189	Fuse, S16	199	Tachometer, G5	71
Emergency flasher switch, E3	184-193	Fuse, S13	208	Tail light, left, M4	170
Emergency flasher warning light, K6	194	Fuse, S11	215	Tail light, right, M2	181
Engine oil pressure control unit, J114	65-67	Hall generator, G40	20-22	Transfer fuel pump, G23	52
Engine oil pressure gauge, G11	116-117	Hall ignition control unit, N41	17-20	Turn signal indicator light, K5	74
Engine oil pressure gauge light, L27	124	Headlight dimmer flasher switch, E4	137-138	Turn signal light, left front, M5	164
Engine oil pressure sensor, G10	116	Headlight high beam indicator light, K1	75	Turn signal light, left rear, M6	169
Engine oil pressure switch (0.3 bar), F22	61	Headlight switch light, L9	156	Turn signal light, right front, M7	167
Engine oil pressure switch (1.8 bar), F1	62	Headlight, left, L1	129, 130	Turn signal light, right rear, M8	182
Engine oil pressure warning light, K3	63	Headlight, right, L2	133, 134	Turn signal switch, E2	190-191
Engine oil temperature gauge, G9	113-114	High-beam headlight, left, L13	127	Voltage regulator, C1	1-2
Engine oil temperature gauge light, L24	126	High-beam headlight, right, L14	131	Voltage stabilizer, J6	76
Engine oil temperature sensor, G8	113	High-mount brake light, M25	175	Voltmeter, G14	119
		Horn button, H	204	Voltmeter light, L25	122
		Horn relay, J4	203-204	Washer/wiper intermittent relay, J31	219-223
		Horns, H1	199, 201	Windshield washer pump, V5	224
		Idle stabilizer valve, N71	36-37	Windshield wiper motor, V	213-216
		Idle switch, F60	23	Windshield wiper intermittent switch, E22	219-223
		Ignition coil, N	16-18		
		Ignition distributor, O	17-19		
		Ignition starter switch, D	9-12		
		Injector, cyl. 1, N30	42		
		Injector, cyl. 2, N31	41		
		Injector, cyl. 3, N32	40		
		Injector, cyl. 4, N33	39		
		Instrument panel light dimmer switch, E20	149		
		Instrument panel light, L10	83, 84		
		Intake air temperature sensor, G42	26		
		Interior light, front, W	85-86		

Main wiring diagram – Cabriolet from 1991
page 2 of 10

Wire connectors

- T — junction box, behind fuse/relay panel
- T1 — single, in luggage compartment, left
- T1a — single, near ignition coil
- T1b — single, behind fuse/relay panel
- T1c — single, behind fuse/relay panel
- T1d — single, on firewall, right
- T1e — single, behind fuse/relay panel
- T1f — single, behind fuse/relay panel
- T1g — single, in luggage compartment, left
- T1h — single, behind instrument panel
- T1i — single, behind instrument panel
- T1j — single, behind instrument panel, center
- T1k — single, behind fuse/relay panel
- T1l — single, behind fuse/relay panel
- T1m — single, behind fuse/relay panel
- T1n — single, behind fuse/relay panel
- T1p — single, near left headlight
- T1r — single, near right headlight
- T1s — single, behind fuse/relay panel
- T1u — single, behind instrument panel
- T1v — single, behind fuse/relay panel
- T2a — double, behind fuse/relay panel
- T2b — double, behind fuse/relay panel
- T2c — double, behind instrument panel, center
- T2d — double, near intake manifold
- T2f — double, behind fuse/relay panel
- T2h — double, in luggage compartment
- T2l — double, near left headlight
- T3a — three-point, behind fuse/relay panel
- T3b — three-point, behind instrument panel, center
- T3c — three-point, behind console
- T3d — three-point, near right headlight
- T3e — three-point, near left headlight
- T3g — three-point, near starter
- T3h — three-point, near valve cover
- T4a — four-point, in engine compartment, rear
- T5a — five-point, on firewall, left
- T6 — six-point, behind fuse/relay panel
- T6a — six-point, on instrument cluster
- T8 — eight-point, on radio
- T14 — fourteen-point, on instrument cluster

Ground connections

- ① — battery to body
- ⑫ — in engine compartment, left
- ⑱ — on engine block
- ⑳ — beside fuse/relay panel
- ④② — near steering column
- ⑤① — in luggage compartment, left
- ⑤① — in luggage compartment, right
- ⑧① — in instrument panel wiring harness
- ⑧② — in left front wiring harness
- ⑨④ — in Digifant wiring harness
- ⑩⑧ — in left front wiring harness
- ⑫⑨ — in horn wiring harness

Welded wiring harness points

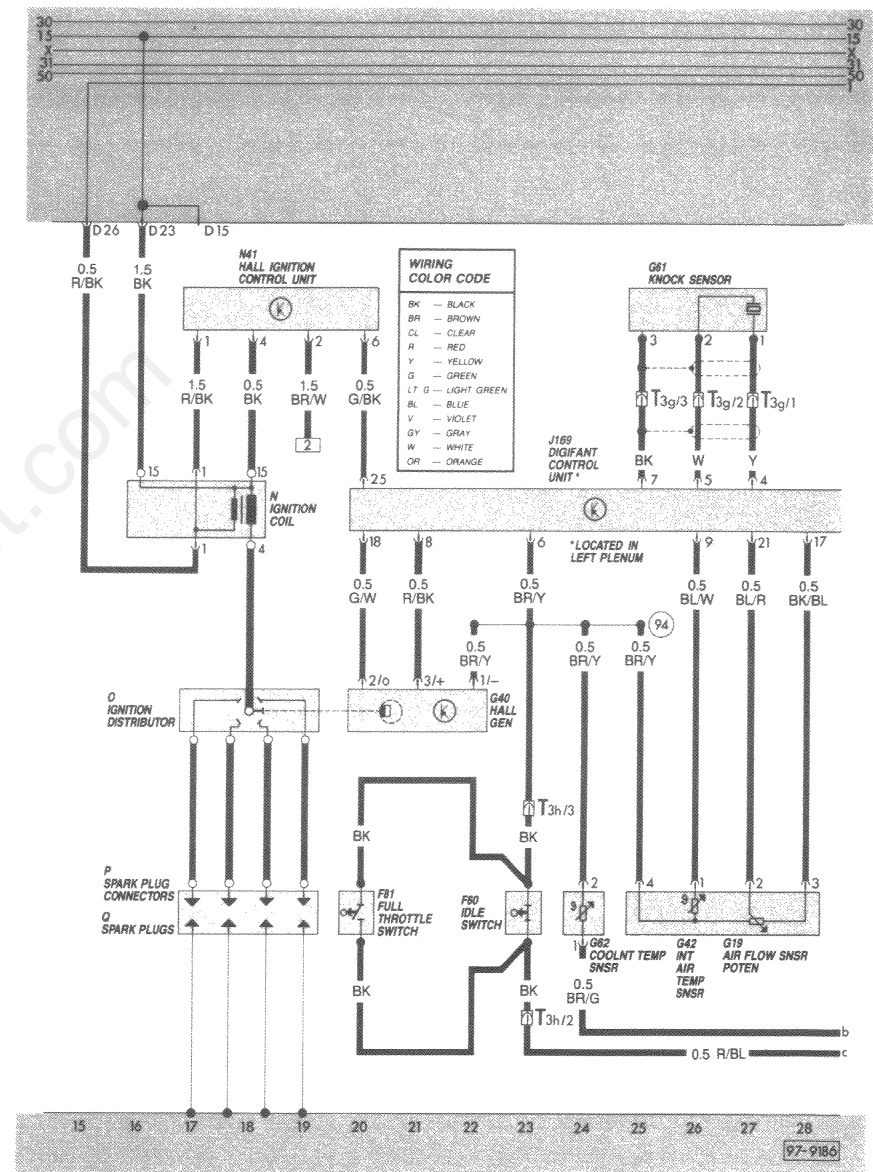
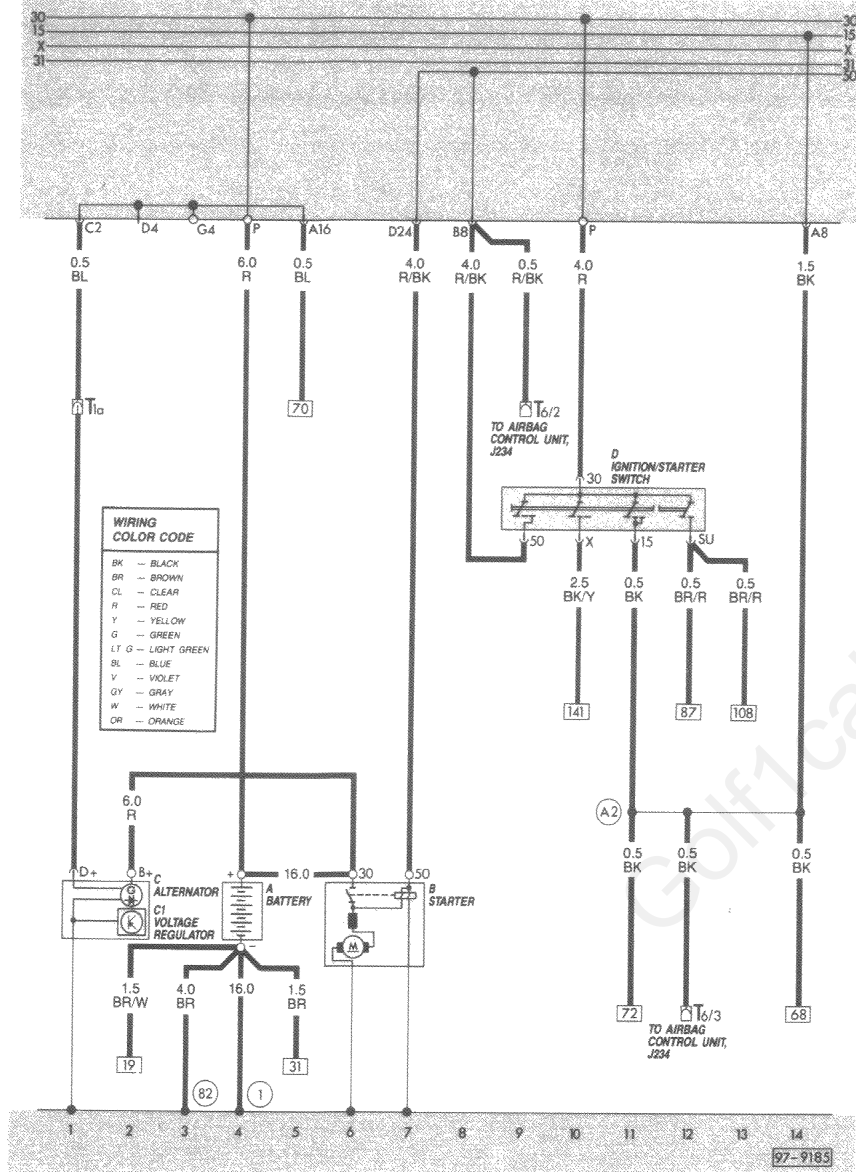
- ④② — plus connection (15), in instrument panel wiring harness
- ④③ — plus connection (30), in left front wiring harness
- ④⑬ — in horn wiring harness
- ④③ — plus connection, in injector valves wiring harness

Wire Size

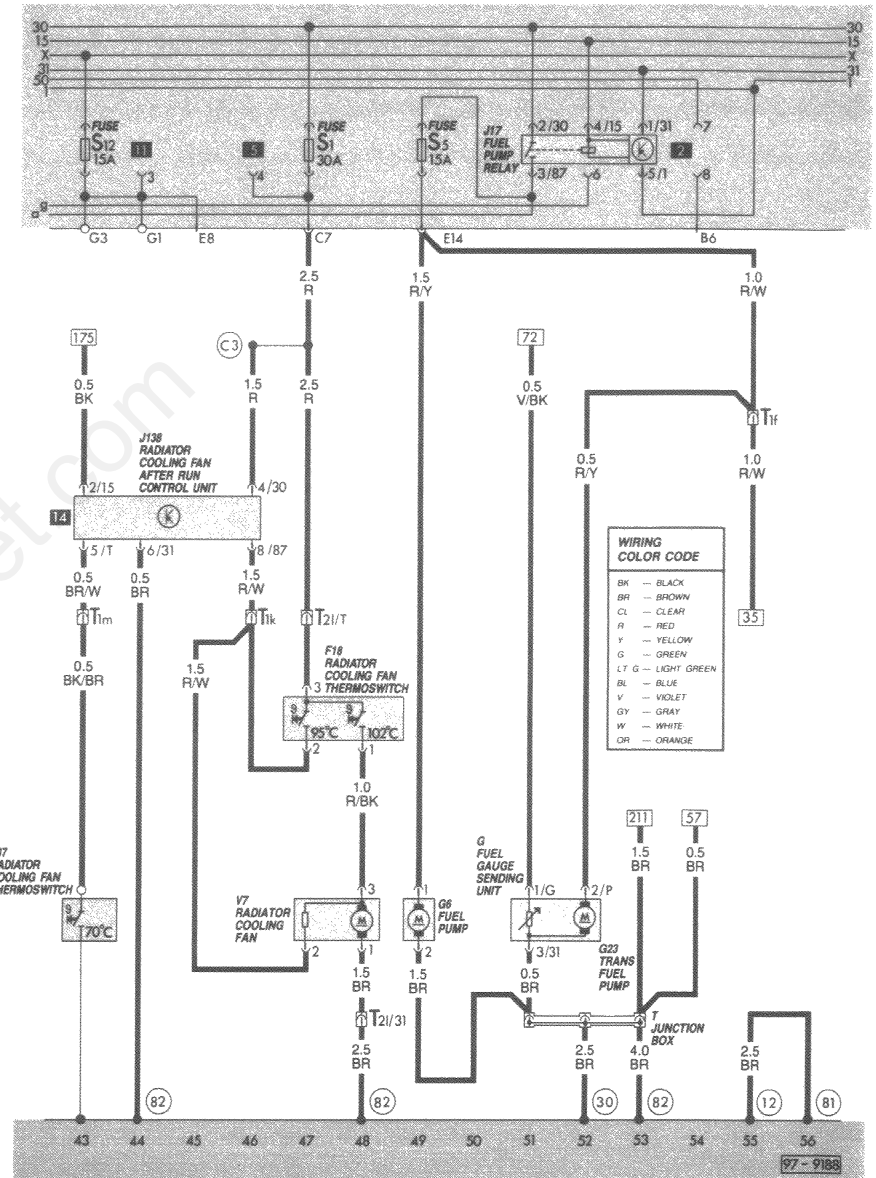
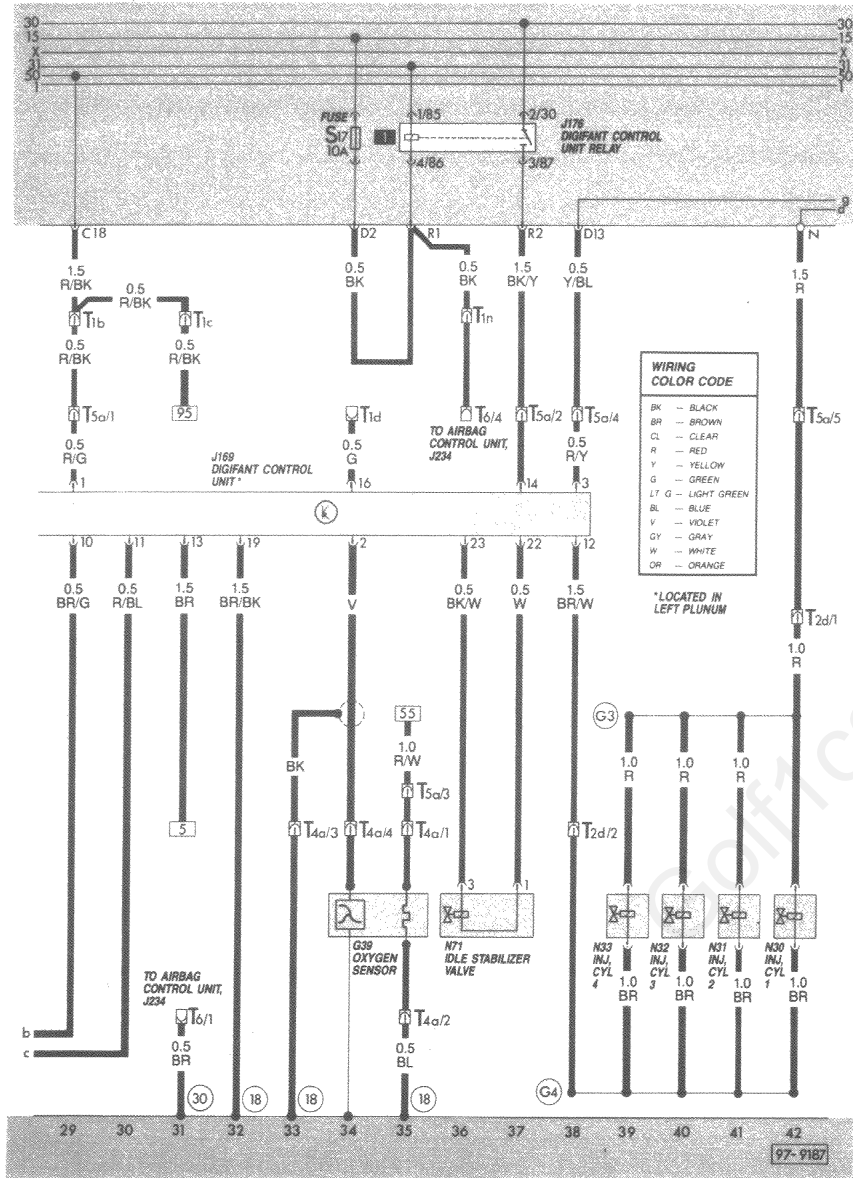
Wiring Diagrams identify wires by the metric wire size. Metric wire sizes indicate cross-sectional area in square millimeters (mm²). The chart below lists metric wire sizes and their approximate equivalents in American Wire Gauge (AWG) sizes.

Metric size — cross section (mm ²)	American Wire Gauge Size (AWG)
0.35	22
0.5	20
0.75	18
1.0	16
1.5	14
2.5	12
4.0	10
6.0	8
16.0	4
25.0	2
35.0	2

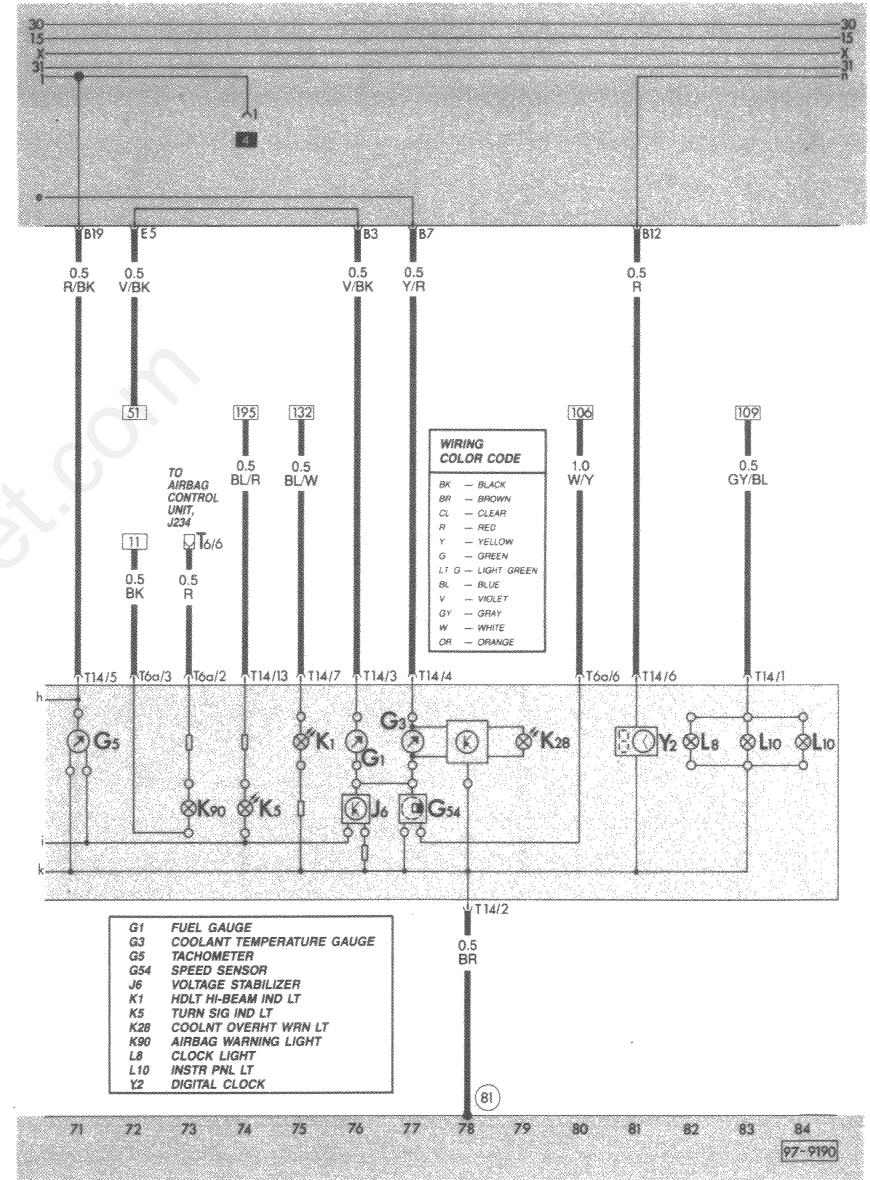
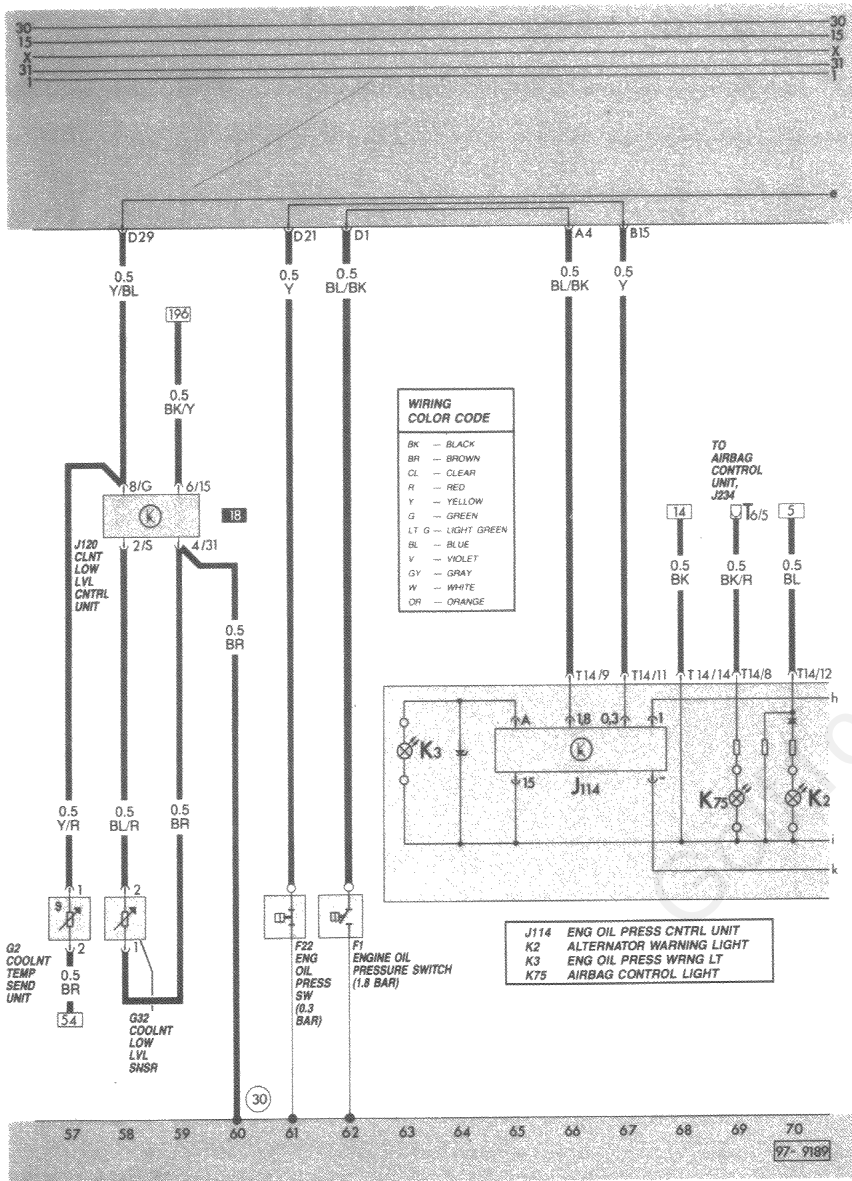
Main wiring diagram – Cabriolet from 1991
page 3 of 10



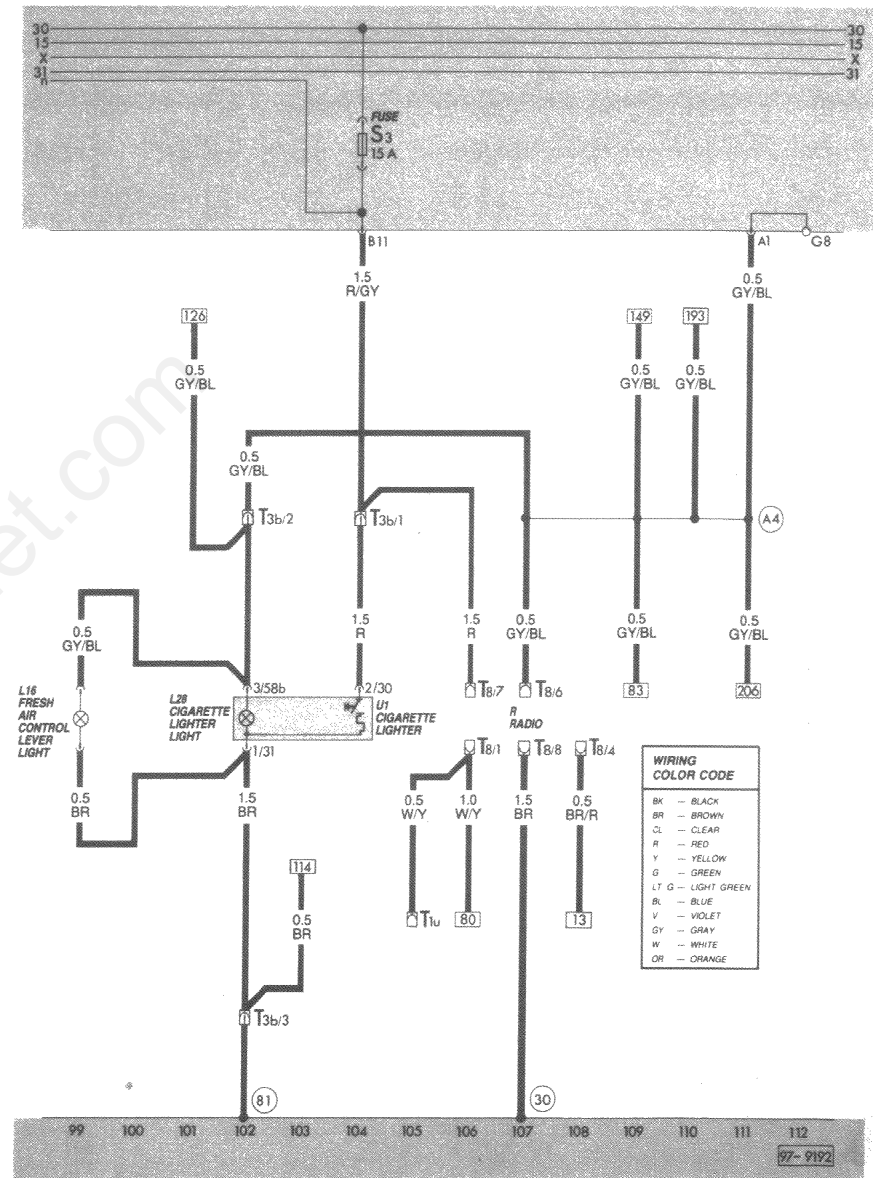
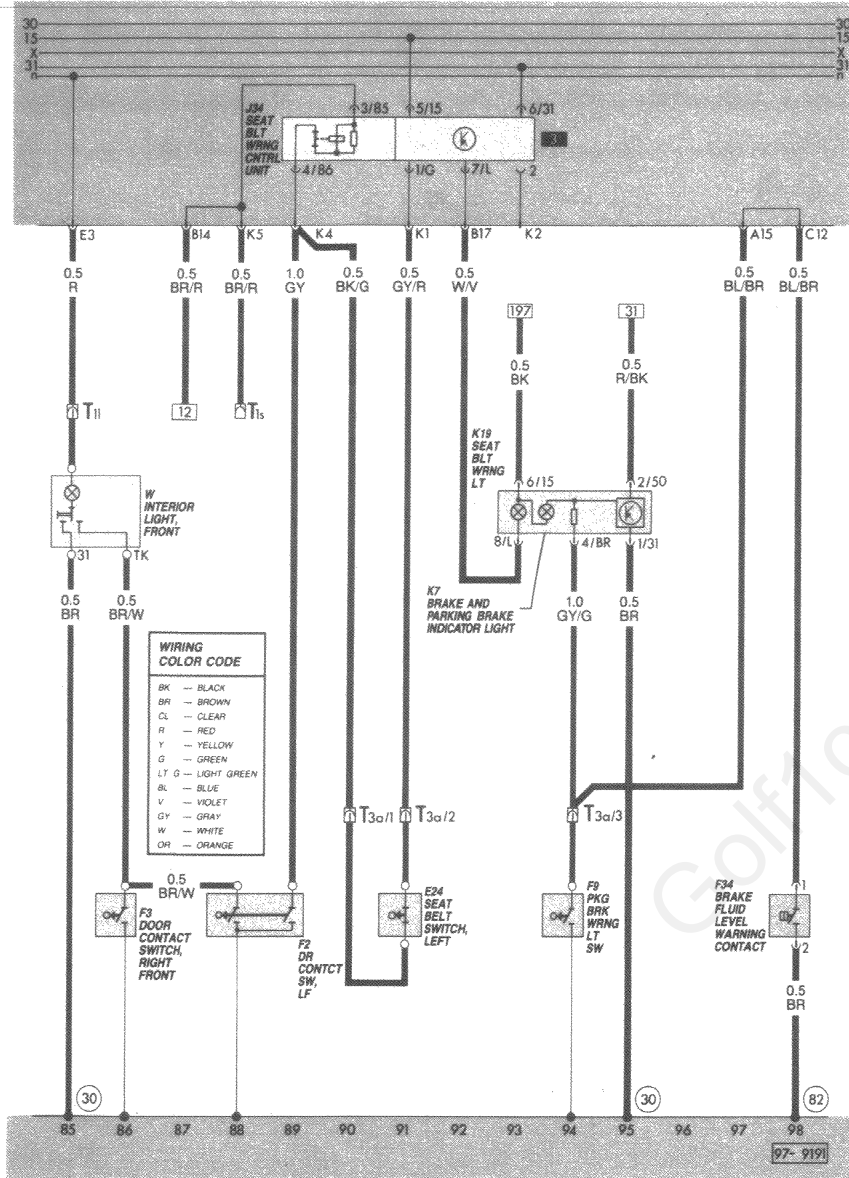
Main wiring diagram – Cabriolet from 1991
page 4 of 10



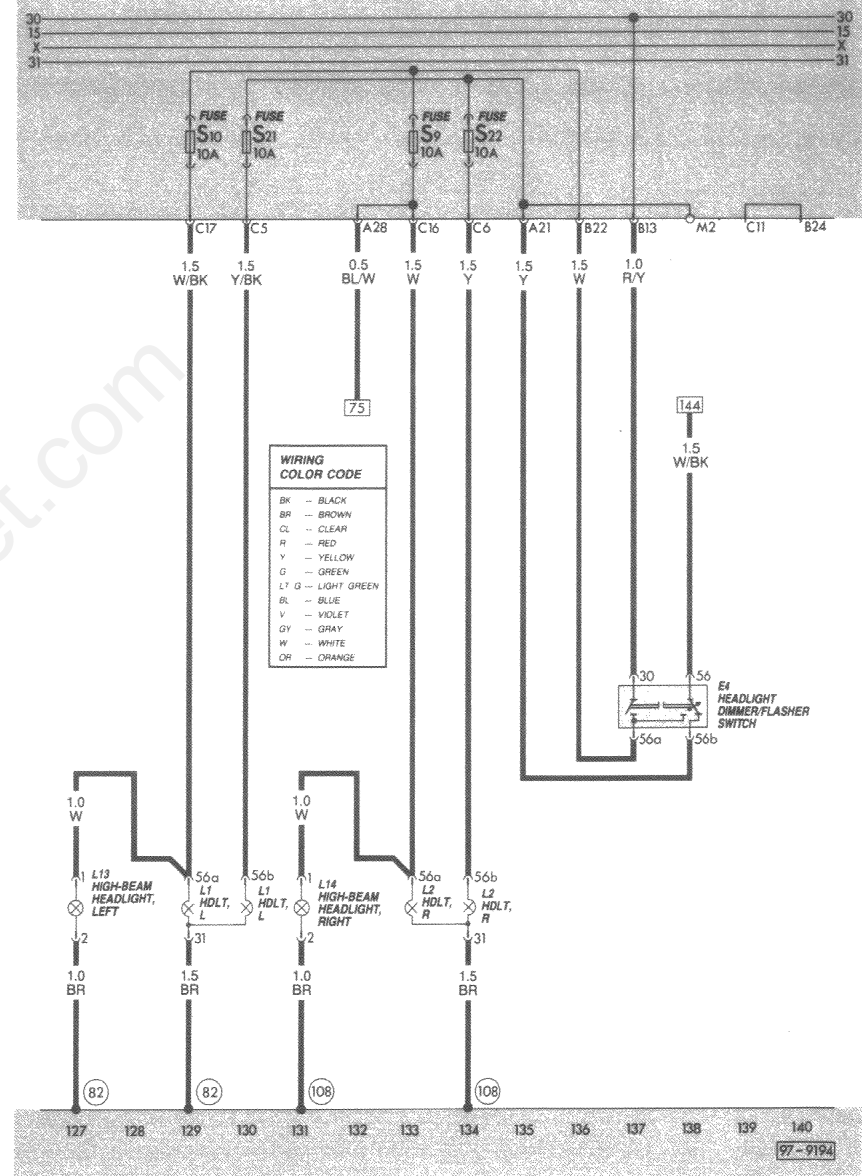
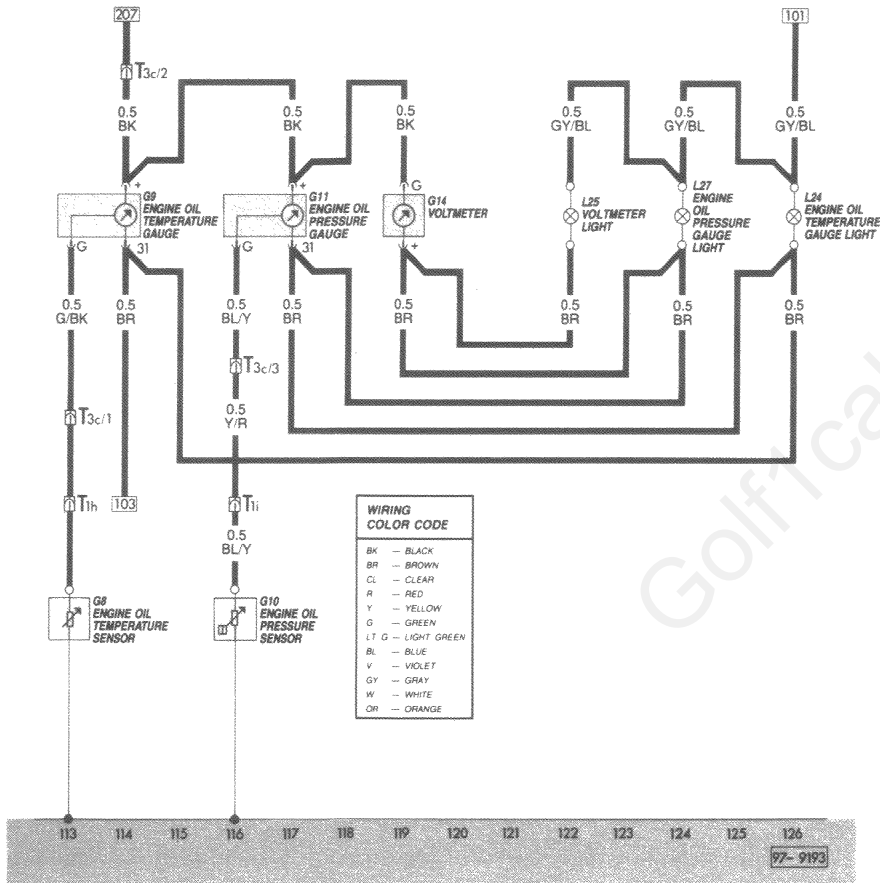
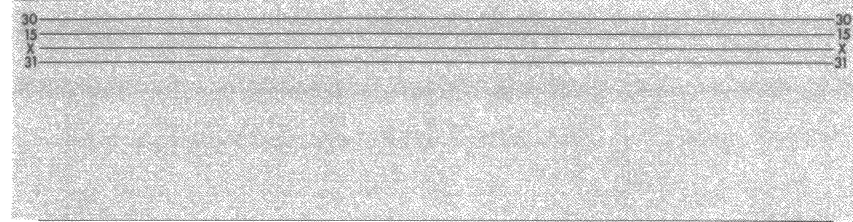
Main wiring diagram – Cabriolet from 1991
page 5 of 10



Main wiring diagram – Cabriolet from 1991
page 6 of 10

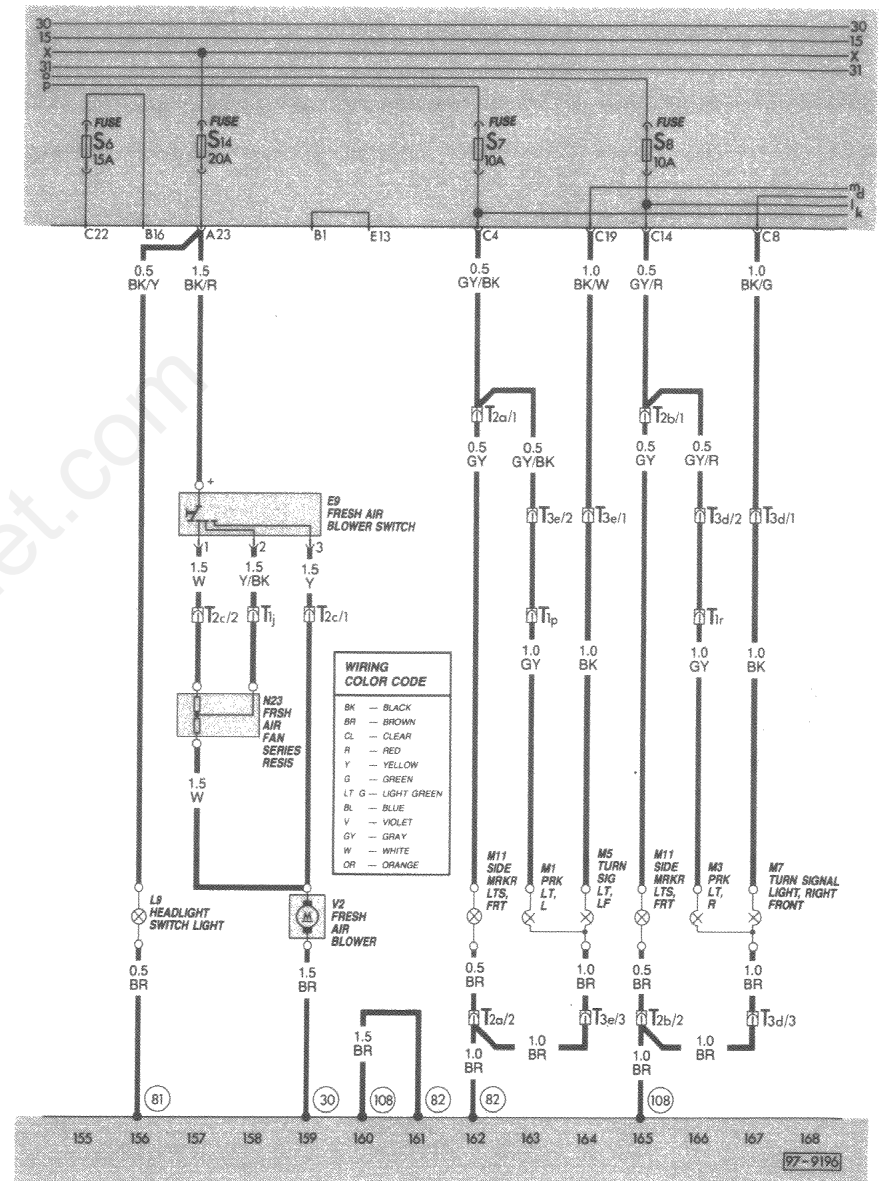
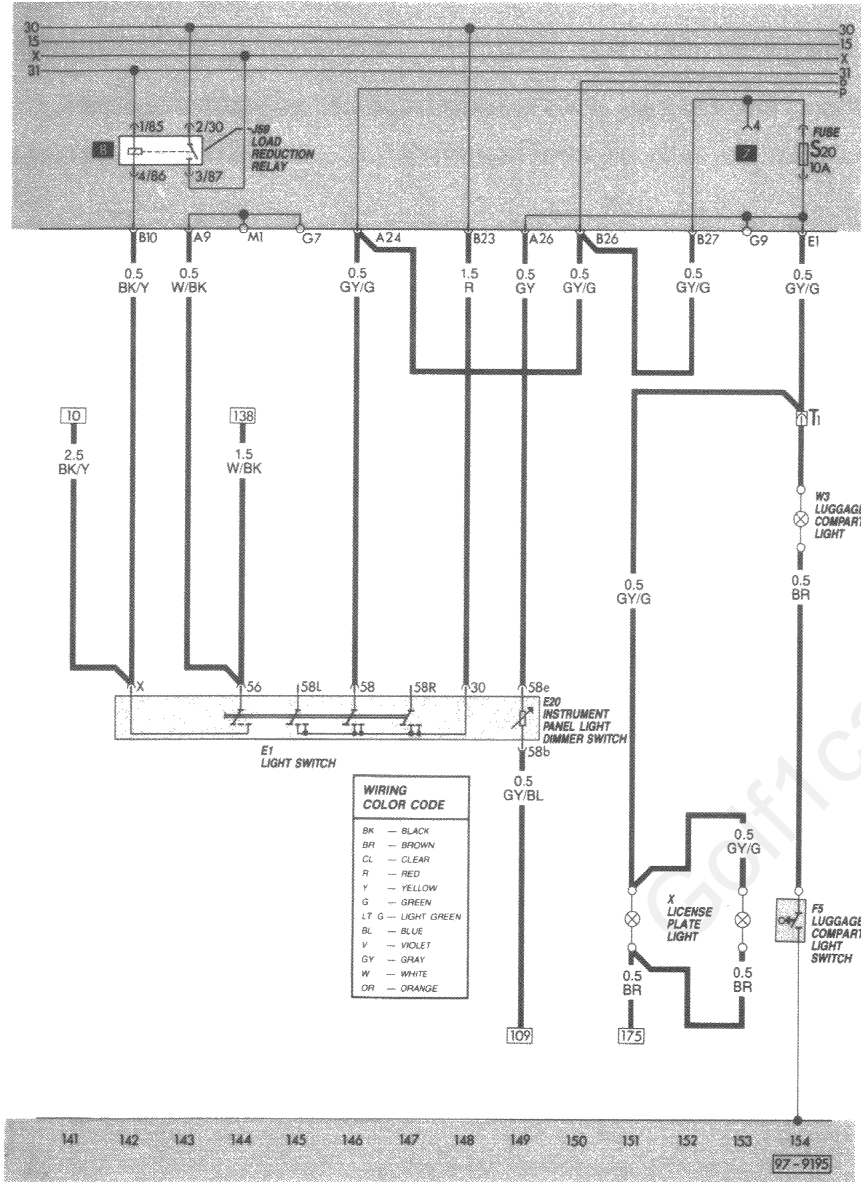


Main wiring diagram – Cabriolet from 1991
page 7 of 10

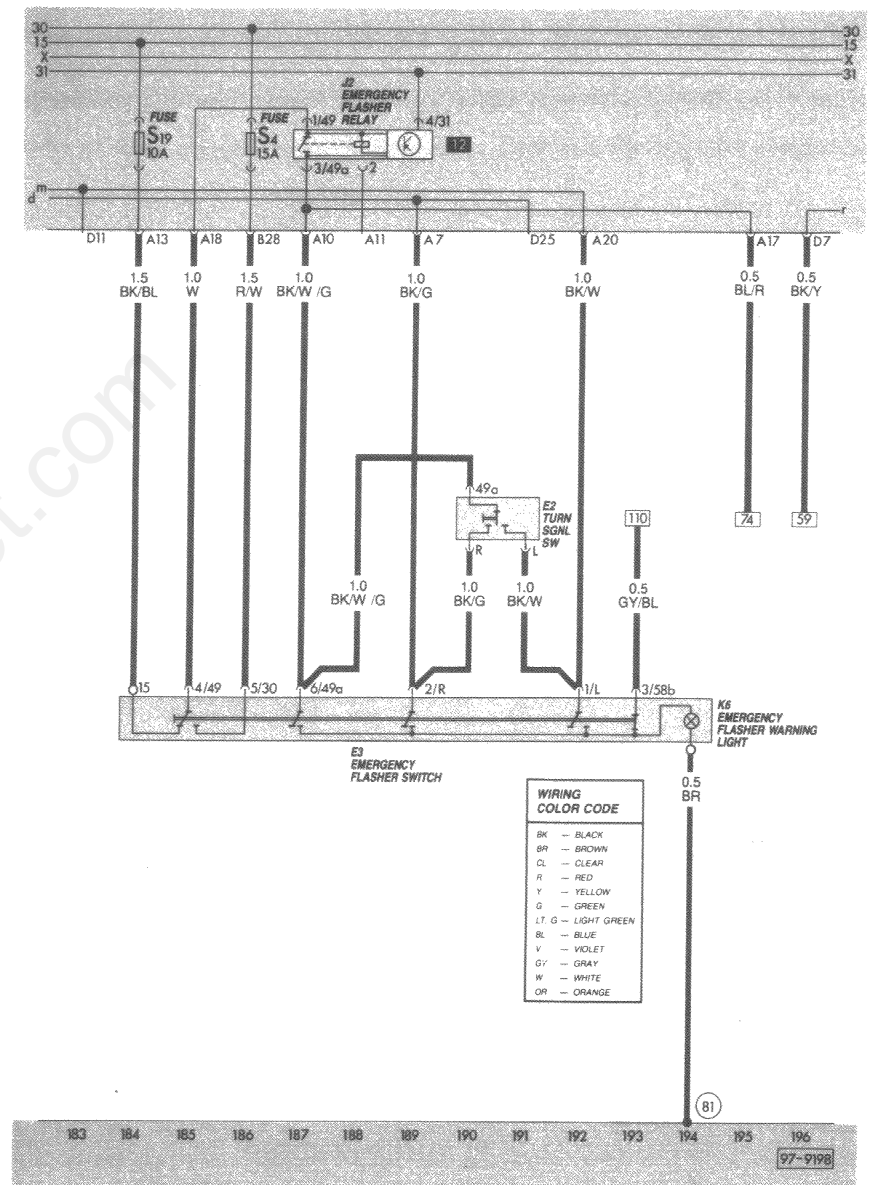
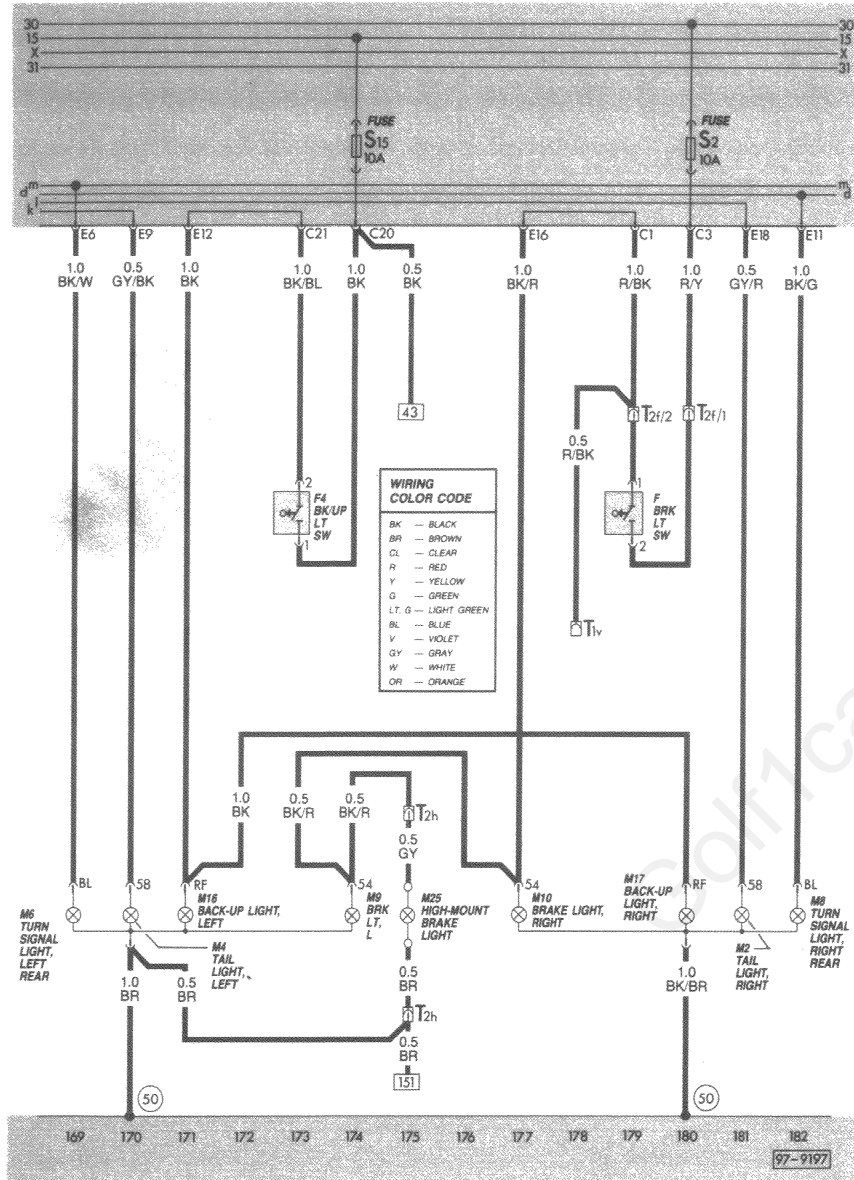


Main wiring diagram – Cabriolet from 1991

page 8 of 10



Main wiring diagram – Cabriolet from 1991
page 9 of 10



Main wiring diagram – Cabriolet from 1991
page 10 of 10

